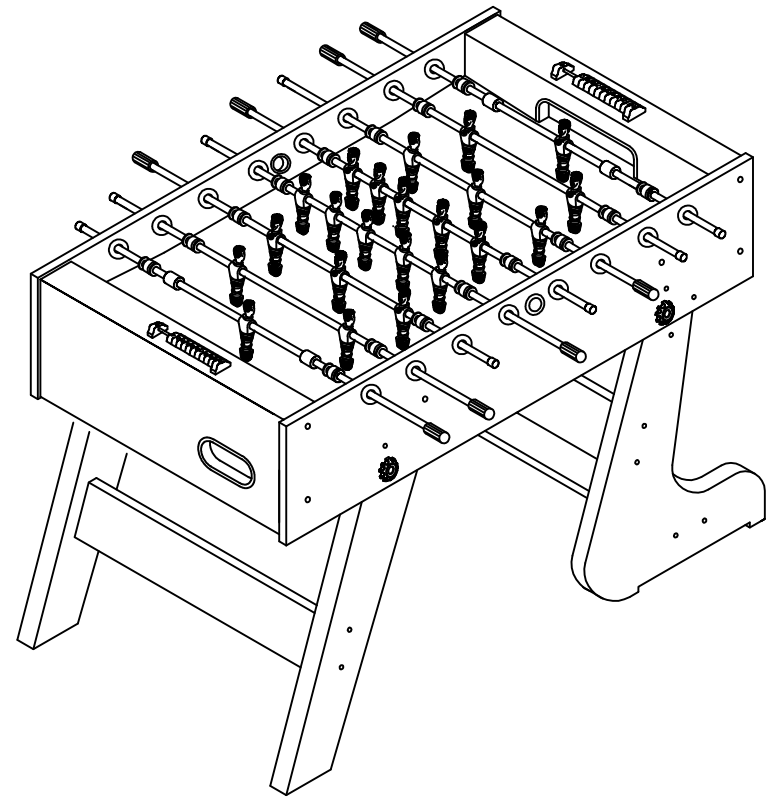


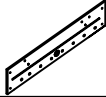
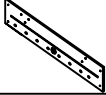
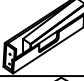

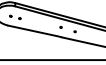








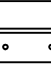
TABLE FOOTBALL

ASSEMBLY INSTRUCTIONS



PARTS IDENTIFIER

ASSEMBLY PARTS

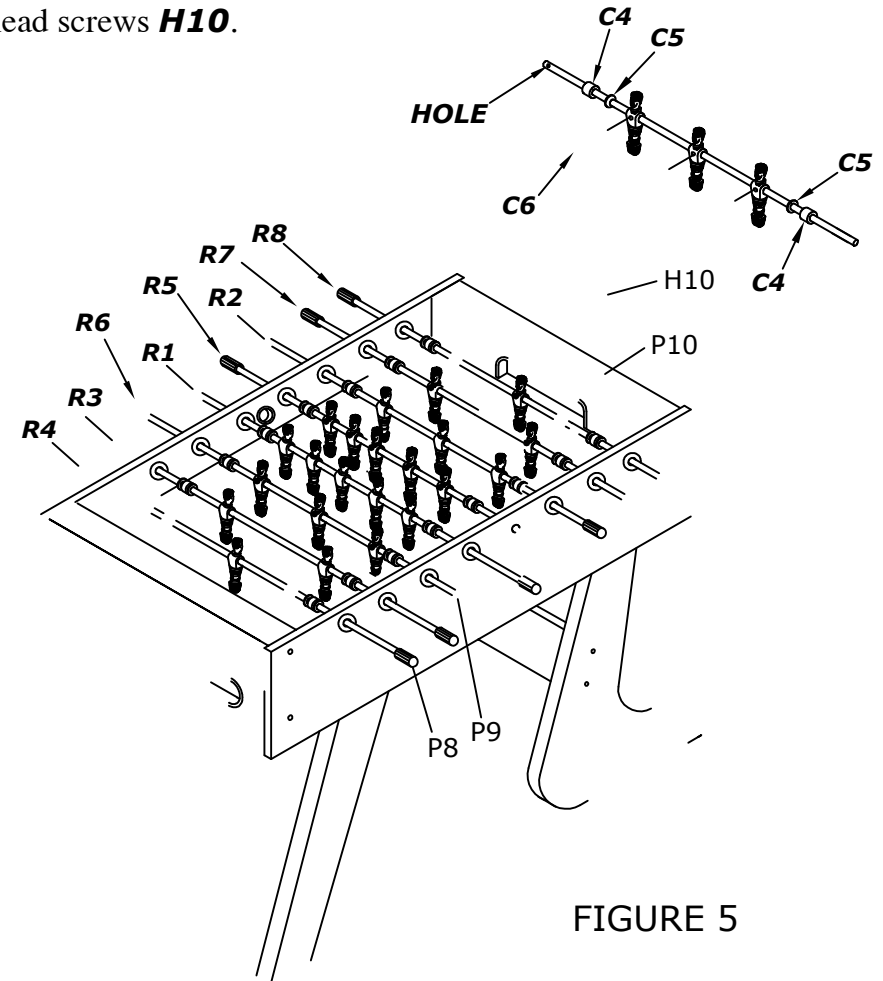
	DESCRIPTION	QTY.
 P1A	Side Panel A	1
 P1B	Side Panel B	1
 P2	End Panel	2
 P3	Playing Field	1
 P4A	Left Straight Leg	1
 P4B	Right Straight Leg	1
 P5A	Left Angled Leg	1
 P5B	Right Angled Leg	1
 P6	Leg Panel	3
 P7	Playfield Support Brace	2
 P8	Handle	8
 P9	Rod End Cap	8
 P10	Slide Scorer	2
 P11	Leg Board	2

ASSEMBLY INSTRUCTIONS

FOOTBALL TABLE ASSEMBLY

WARNING: Two adults needed to assemble soccer table

- Insert the player rods **C1&C2&C3** through one side panel, then insert players **C8&C9** and rubber bushings **C4**, plastic washers **C5** through the rod, refer to **R1~R8**. then insert the player rod through other side panel, attach the players **C8&C9** with bolts **C6**. See **Figure 5**.
- Once you are sure the rods are installed correctly, slide handles **P8** onto the end of the rods with the hole closet to the end. Slide the rubber caps **P9** on the other end of the rod.
- Attach the two sets of slide scorers **P10** to the end of table with flat head screws **H10**.



ASSEMBLY INSTRUCTIONS

FOOTBALL TABLE ASSEMBLY

WARNING: Two adults needed to assemble soccer table

- Attach the straight legs **P4A&P4B** and angled legs **P5A&P5B** to the table by using bolts **H2**, washers **H4** and handle bolt **H5**. See **figure 4**.
- Insert the nut **H6** into the hole of the leg panels **P6**. The hole of the nut align the hole of the panel. See **figure 4**.
Attach the leg panels **P6** with **H7**. See **figure 4**.
- Attach the leg board **P11** with screw **H9**. See **figure 4**.

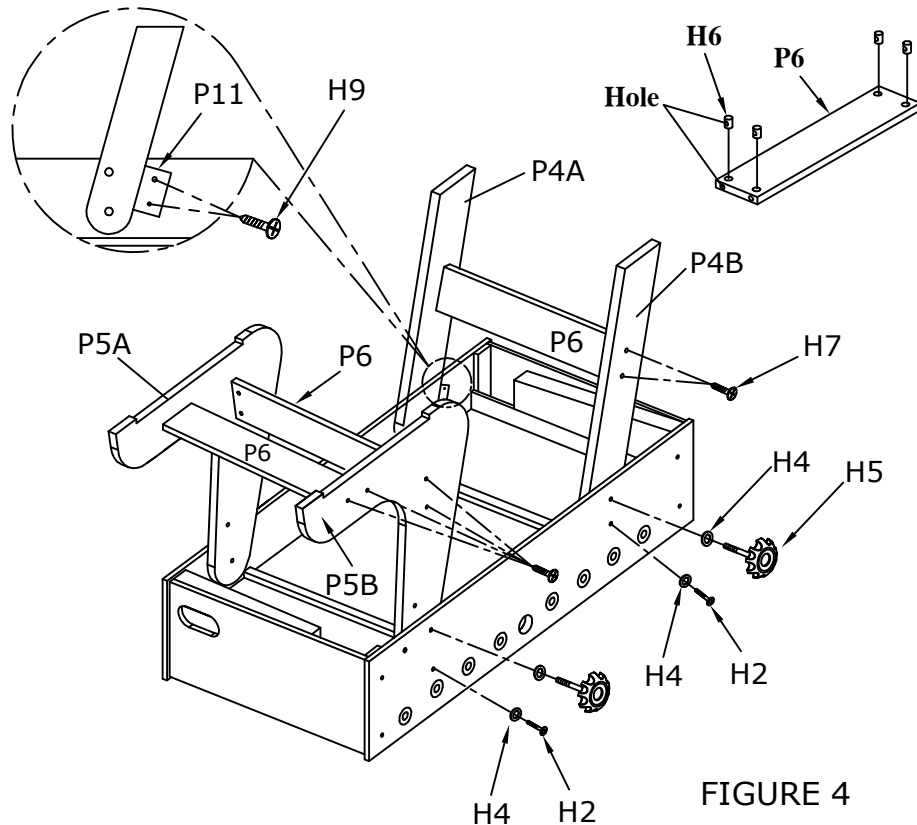
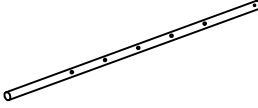
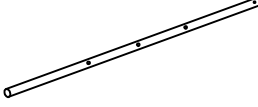
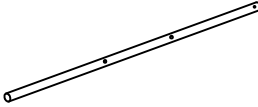

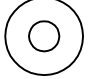








FIGURE 4

PARTS IDENTIFIER

REPLACEMENT PARTS

	DESCRIPTION	QTY.
 C1	5 Player Rod	2
 C2	3&1 Player Rod	4
 C3	2 Player Rod	2
 C4	Rubber Bushing	16
 C5	Plastic Rod Washer	16
 C6	1/8" X 3/4" BOLT	26
 C7	STOP RING	4
 C8	Away Men	11
 C9	Home Men	11

ACCESSORIES

	DESCRIPTION	QTY.
 A1	Foot Ball	2
 A2	Tool	1

ASSEMBLY INSTRUCTIONS

FOOTBALL TABLE ASSEMBLY

WARNING: Two adults needed to assemble soccer table

1. Slide playfield **P3** into the groove on the side panels **P1A/P1B** with graphics facing down. See **figure 1**.

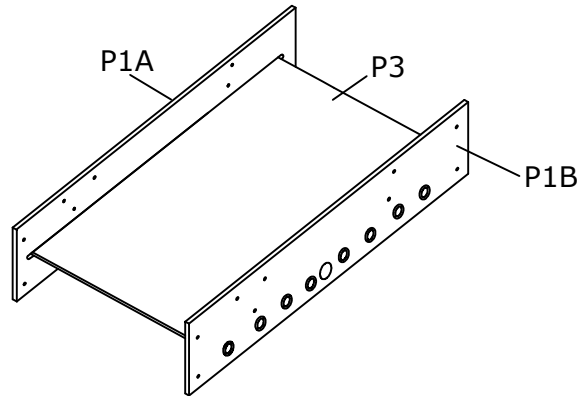


FIGURE 1

2. Attach the two end panels **P2** to the side panels **P1** as shown in **figure 2**. Remember the groove must face towards the playfield. Attach the end panels with bolts **H1** and washers **H3** into the pre-installed dowel connectors.

CAUTION

Do not over-tighten hardware.

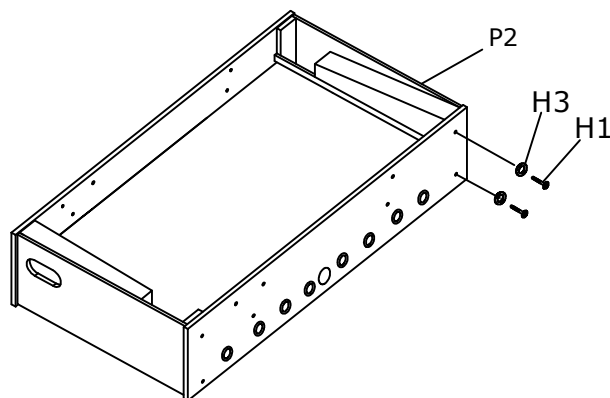


FIGURE 2

ASSEMBLY INSTRUCTIONS

FOOTBALL TABLE ASSEMBLY

WARNING: Two adults needed to assemble soccer table

3. Insert the nut **H6** into the hole of the support braces **P7** as shown in **figure 3**. The hole of the nut align the hole of the braces. Place the playfield supports **P7** on the bottom of the playfield and attach it with screws **H8** as shown in **figure 3**.

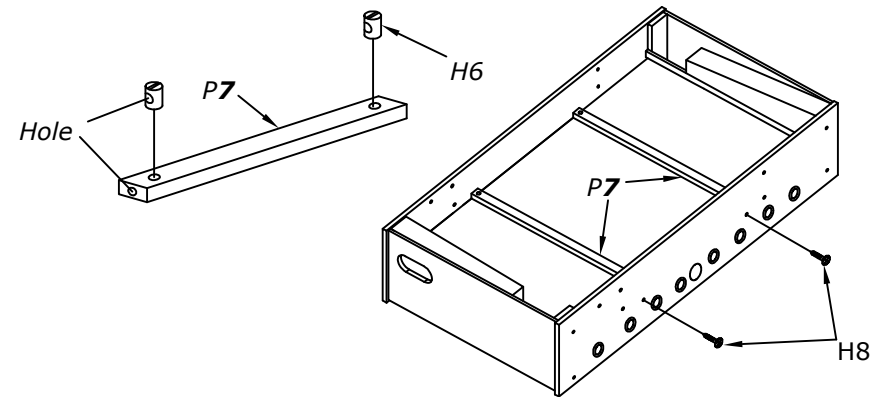


FIGURE 3

ASSEMBLY INSTRUCTIONS

FOOTBALL TABLE ASSEMBLY

WARNING: Two adults needed to assemble soccer table

